

BPS SERIES



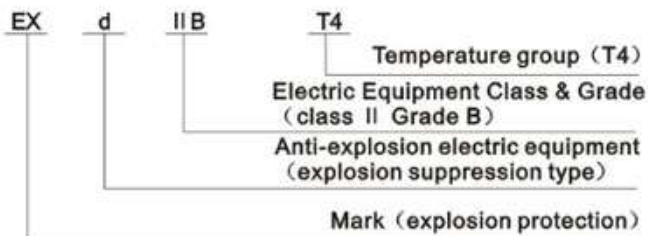
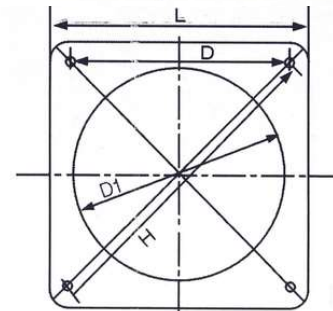
EXPLOSION-PROOF EXTRACTION FAN



Features

BPS series flameproof industrial fan applied in the condition of explosion-proof gas compound with factory II type, Grade A, B and the temperature T1-T4. It widely used for ventilation and sunstroke in office, oil, military industry, chemical industry, medicine, metallurgy, etc. We also get

BPS-series casing size and mounting size



Model	L	D1	D	H
BPS-30	385	305	320	435
BPS-40	485	405	394	558
BPS-50	585	506	474	678
BPS-60	685	606	546	800

Technical Parameters

Model	Diameter	Voltage	Frequency	Speed	Power	Capacity	Static
BPS	mm/Inc	V	Hz	r/min	W	m ³ /min	pa
BPS-30	300 (12")	220	50	1400	120	30	45
BPS-40	400 (16")	220	50	1400	180	58	90
BPS-50	500 (20")	220	50	1400	370	100	100
BPS-60	600 (24")	220	50	1400	550	150	110